

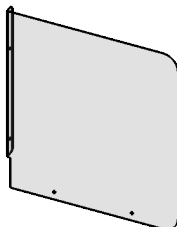
Urinal Divider with Dual Lock

ASSEMBLY INSTRUCTIONS

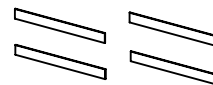
READ ALL INSTRUCTIONS BEFORE YOU BEGIN. DO NOT JUMP AHEAD OF ANY STEP.

PARTS LIST:

Urinal Divider
(1 pc)



Dual Lock
Strips
(4 pcs)



*NO TOOLS REQUIRED

*TWO PERSON ASSEMBLY RECOMMENDED

NOTE: Prior to mounting Shield, clean the area where the Dual Lock strips will be applied with a 50/50 mixture of isopropyl alcohol (IPA) and water for proper adhesion.

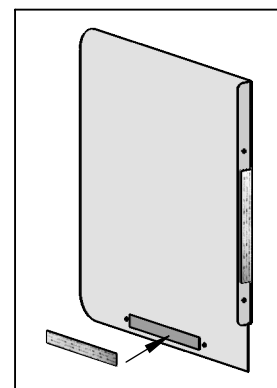
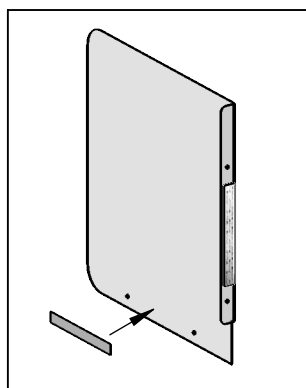
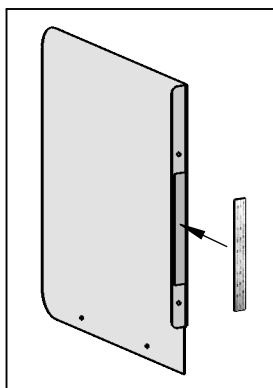
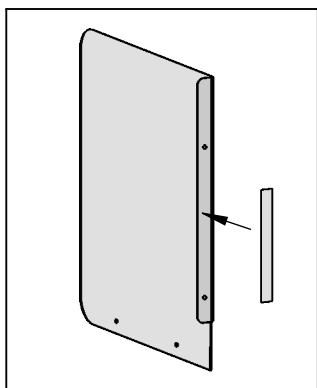
STEP 1: Peel off the protective plastic film from both sides of Urinal Divider.

STEP 2: Remove the 3M protective film from one of the Dual Lock tape strips and apply the adhesive side to rear of vertical flange on Divider. Dual lock should be centered between the two holes.

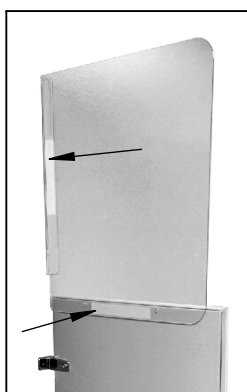
STEP 3: Take another Dual Lock tape strip and attach fastener side to installed strip on flange of your Divider. Do not remove 3M protective film yet.

STEP 4: Remove the 3M protective film from a third Dual Lock tape strip and apply the adhesive side to the bottom inside face of Urinal Divider. Again, Dual Lock tape strip should be centered between the holes.

STEP 5: Attach fastener side of remaining Dual Lock tape strip to the Dual Lock strip on bottom of Urinal Divider.



STEP 6: Remove the 3M protective film from the two exposed Dual Lock strips. Place Urinal Divider up against your two desired mounting surfaces and press down firmly on the flange & outside face of Divider. Hold for 30 seconds to ensure proper adhesion of the Dual Lock tape strips to the desired surfaces and to ensure strips are firmly fastened to each other.



ASSEMBLY COMPLETED

12950



NOTE: Divider can be removed and reattached as needed. Two Dual lock strips will remain on mounting surfaces and the other two will remain attached to Divider.

ALTERNATE INSTALLATION METHOD

Your Urinal Divider can also be installed with screws & washers (not included) instead of Dual Lock, if so desired. Using the Divider as a template, hold Divider up to desired mounting surfaces and mark the hole locations in Divider with pen/pencil. Drill holes to appropriate size of hardware being used (wall anchors may also be required). Then align holes in Divider with drilled holes, and secure to surfaces with appropriate hardware.

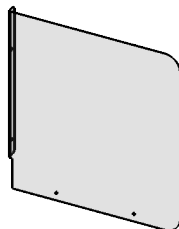
Sink Divider with Dual Lock

ASSEMBLY INSTRUCTIONS

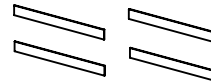
READ ALL INSTRUCTIONS BEFORE YOU BEGIN. DO NOT JUMP AHEAD OF ANY STEP.

PARTS LIST:

Sink Divider
(1 pc)



Dual Lock
Strips
(4 pcs)



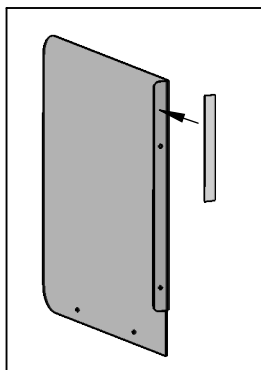
*NO TOOLS REQUIRED

*TWO PERSON ASSEMBLY RECOMMENDED

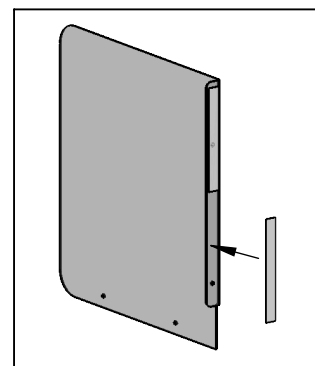
NOTE: Prior to mounting Shield, clean the area where the Dual Lock strips will be applied with a 50/50 mixture of isopropyl alcohol (IPA) and water for proper adhesion.

STEP 1: Peel off the protective plastic film from both sides of Sink Divider.

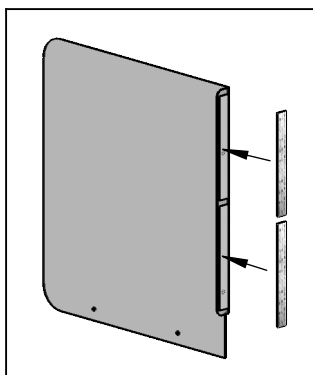
STEP 2: Remove the 3M protective film from one of the Dual Lock tape strips and apply the adhesive side to rear of vertical flange on Divider. Place strip ~1/2" down from top edge of flange to allow room for second Dual lock strip below it.



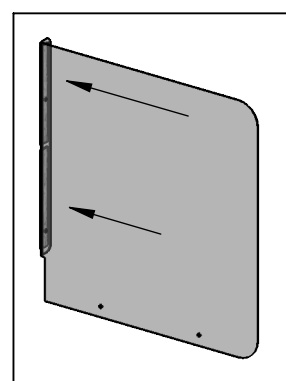
STEP 3: Remove the 3M protective film from a second Dual Lock tape strip and apply the adhesive side to rear of vertical flange on Divider, slightly below already installed strip.



STEP 4: Take remaining two Dual Lock strips and attach fastener side of each to installed Dual Lock strips on flange of your Divider.



STEP 5: Remove the 3M protective film from the two exposed Dual Lock strips. Place Sink Divider up against your desired mounting surface and press down firmly on the flange of Divider. Hold for 30 seconds to ensure proper adhesion of the Dual Lock tape strips to the desired surface and to ensure strips are firmly fastened to each other. **ASSEMBLY COMPLETED**



NOTE: Divider can be removed and reattached as needed. Two Dual lock strips will remain on mounting surface and the other two will remain attached to Divider.

12950-S

ALTERNATE INSTALLATION METHOD

Your Sink Divider can also be installed with screws & washers (not included) instead of Dual Lock, if so desired. Using the Divider as a template, hold Divider up to desired mounting surface and mark the hole locations in flange of Divider with pen/pencil. Drill holes to appropriate size of hardware being used (wall anchors may also be required depending on surface). Then align holes in Divider with drilled holes, and secure to surface with appropriate hardware.

